

DBSHLV2S

Two-Sided Shelving Unit **USER MANUAL**

DANDELION

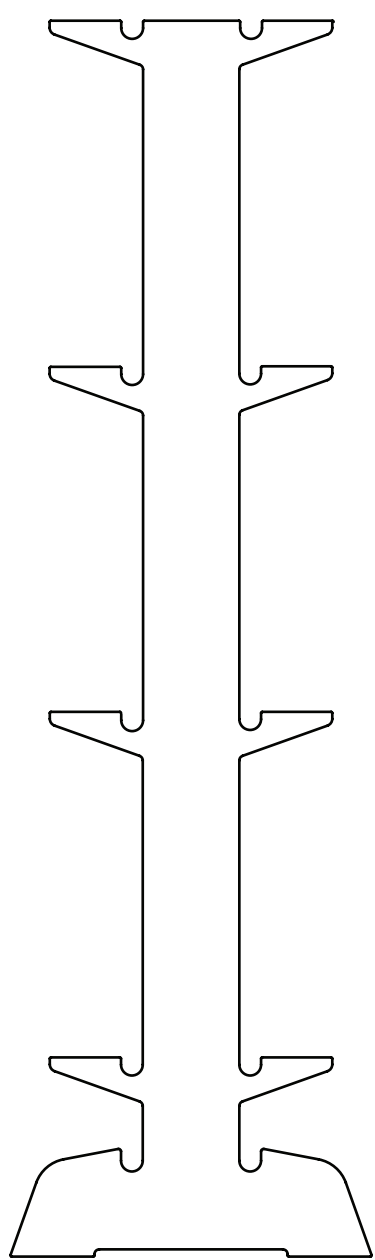
RESPONSIBLY CREATING BETTER PRODUCTS FOR A BETTER WORLD



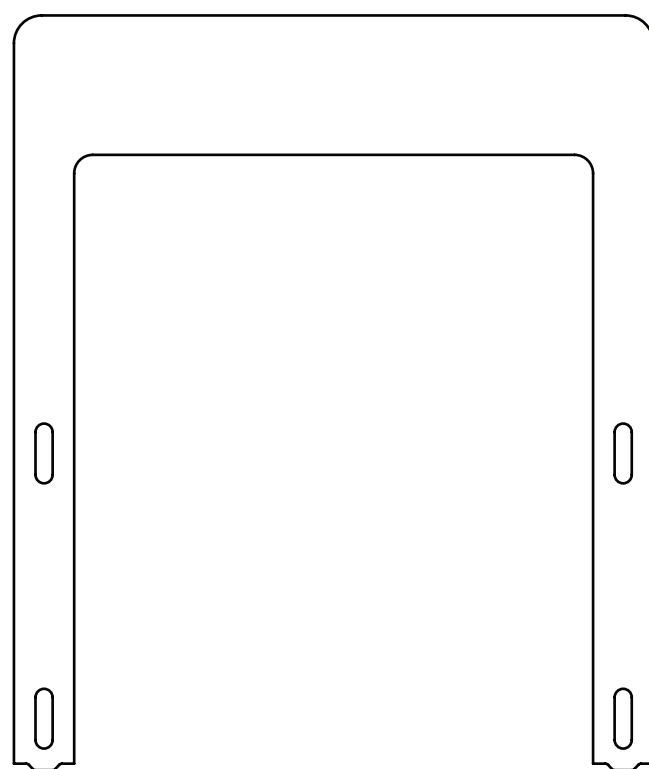
Table of Contents

Page 3	Parts Diagram
Page 4.....	Assembly Instructions
Page 7	Contact Information

USER MANUAL



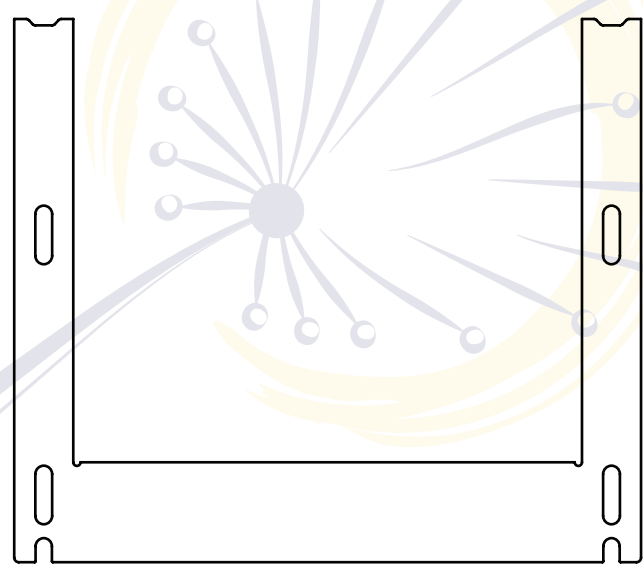
A. LEG x2



B. UPPER FRAME x2

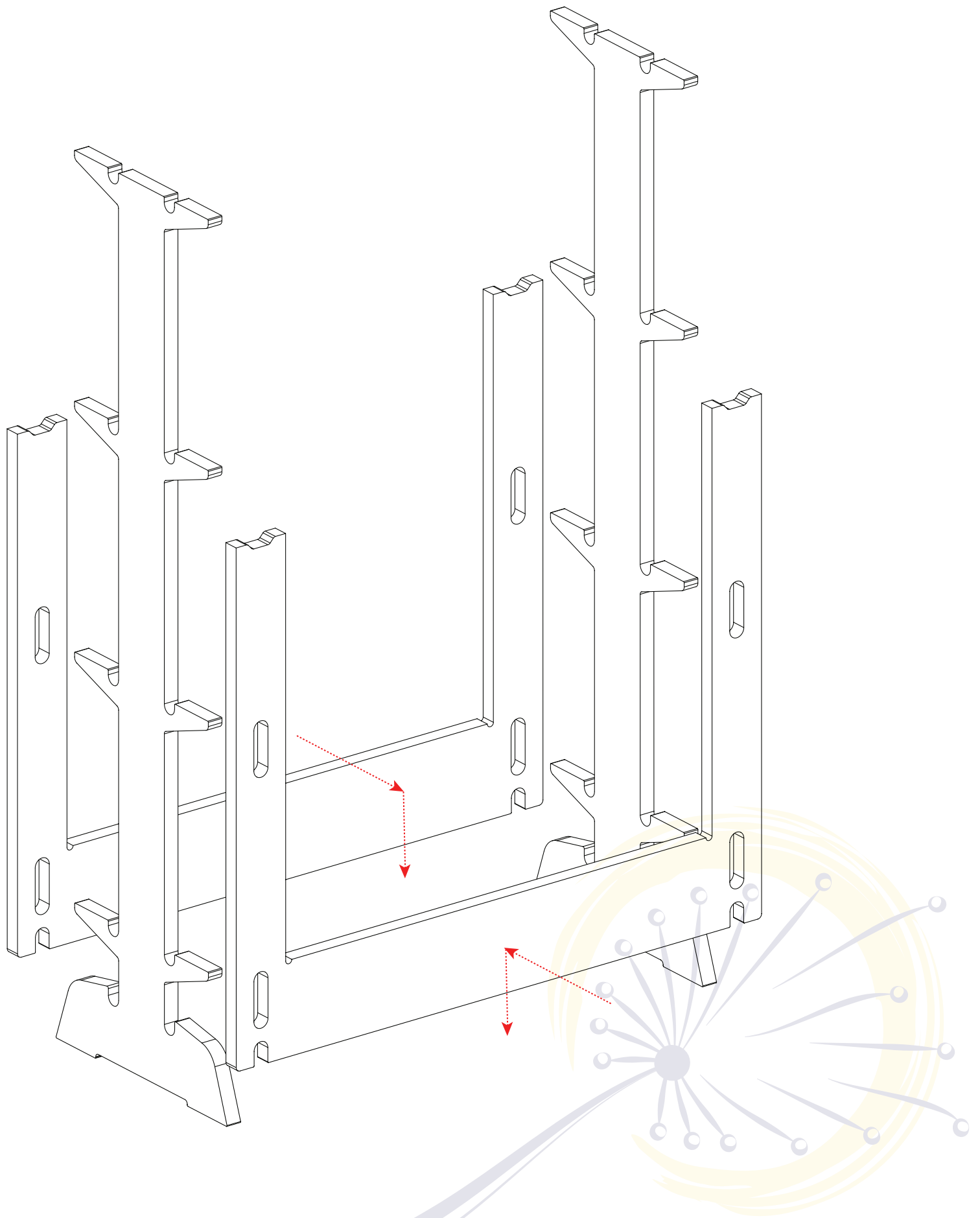


D. SHELF x4



C. LOWER FRAME x2

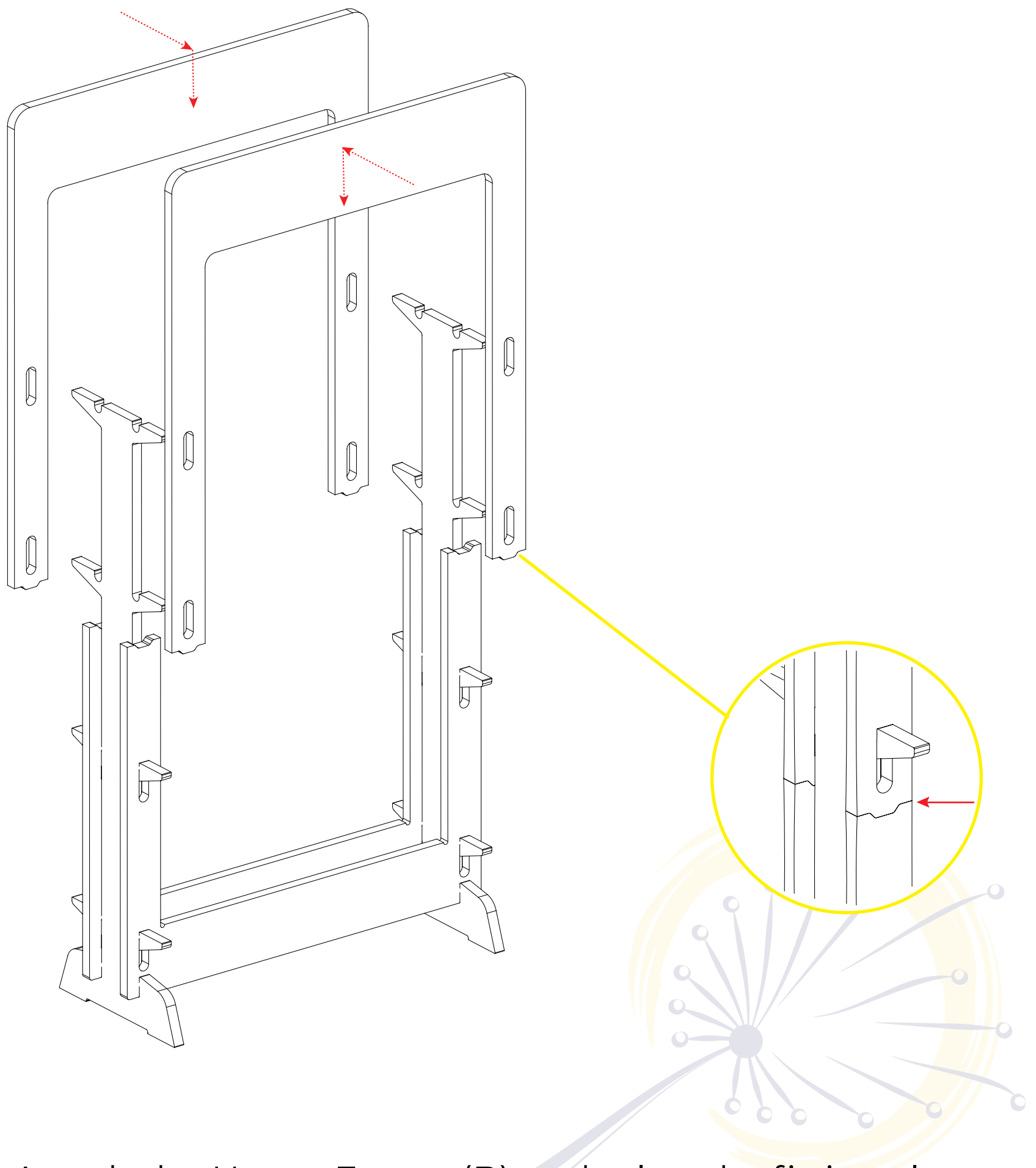
PARTS DIAGRAM



1. Hold both Legs (A) parallel. Attach Lower Frame (C) to the legs by fitting slots together and lowering into place.

Repeat on the other side.

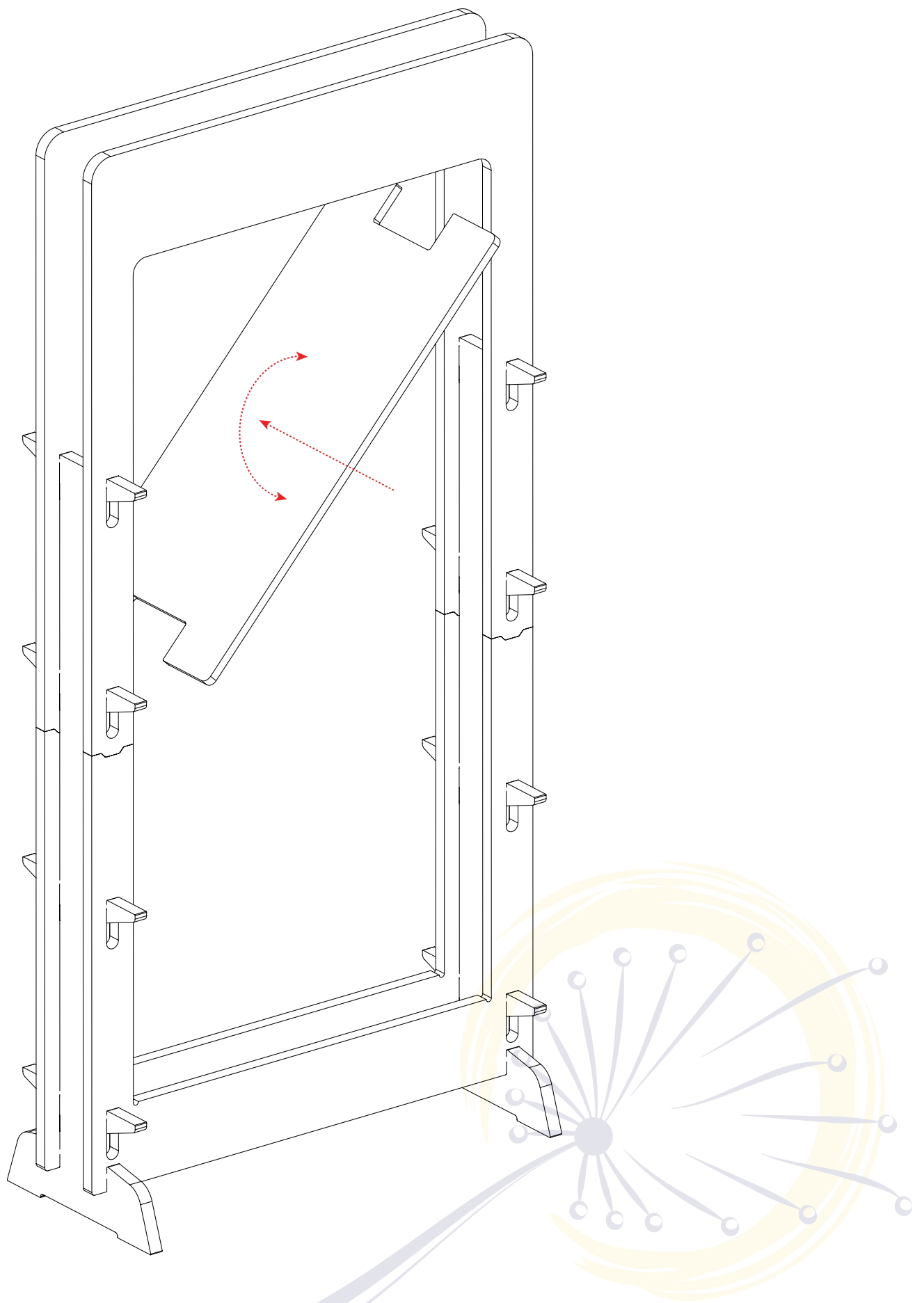
ASSEMBLY INSTRUCTIONS



2. Attach the Upper Frame (B) to the legs by fitting slots together and lowering into place, making sure the upper and lower legs are aligned.

Repeat on other side.

ASSEMBLY INSTRUCTIONS



3. Insert each Shelf (D) by rotating and placing on the hooks.

Assembly is complete!

ASSEMBLY INSTRUCTIONS

THANK YOU FOR
MAKING A SUSTAINABLE
CHOICE FOR A BRIGHTER
FUTURE.



HAVING TROUBLE WITH THIS PRODUCT?
CALL OUR CUSTOMER SERVICE LINE AT:
844-221-3388

CONTACT US